

C1 – Fully automatic and efficient support /resin removal from 3D printed plastic components



Support removal

Polymers

Features & Benefits

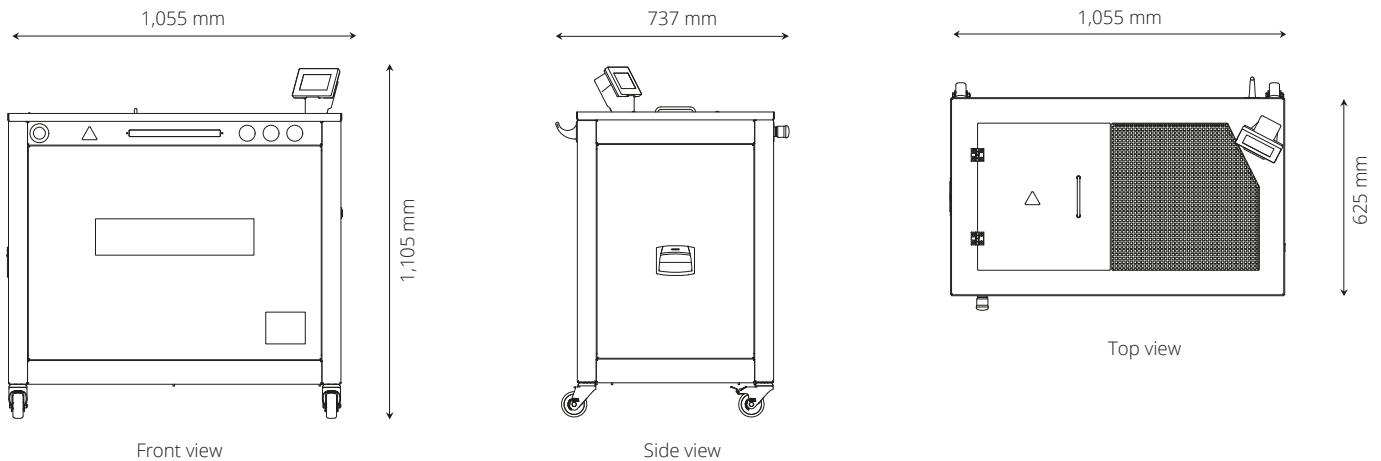
- Fully automatic removal of support structures / resin (e.g. Polyjet, SLA, etc.)
- Special software package allows programming the entire process sequence
- Level sensor with fully automatic replenishment of the processing media
- Grating with a drainage area ensures a clean and safe operation
- Continuous monitoring of the temperature and degree of saturation
- Insertable screen allows easy removal of residual support material
- Sturdy processing cabinet and removable work piece basket made from stainless steel
- Option: Portable operator panel with WLAN connection
- Simple and user-friendly unloading of the work pieces
- Plug-and-play machine with PLC controller

Technical highlights

The C1 system allows not only the fully automatic post processing of 3D printed polymer components but also the continuous monitoring of all process parameters. The standard system controls contain various processing programs for the removal of support structures / resin from different 3D printed components. However, the controls also allow the development of special processing programs and their storage in the PLC. The C1 is also equipped with a level sensor and a fully automatic media replenishment system. The support/resin removal process

is based on chemical, thermal and mechanical effects. The perfect interplay of these mechanisms ensures that the support material/resin from even the most delicate and tight areas is quickly removed in a safe and reliable manner without affecting the integrity of the components. Process parameters such as temperature, processing time and the saturation degree of the medium are collected by data loggers and stored in the system controls. This ensures quality control, consistency of the results and traceability in the field of additive manufacturing.

Equipment layout



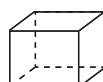
Equipment specifications

Technical data
Dimensions of the processing space (w x d x h): 340 x 440 x 170 mm
Fill volume: 62.5 liters
Subsequent dosing: 25 Liter
Recommended compound: RAM-D1; RAM-D1M, RAM-D1R

Installation conditions
Supply voltage: 230V / 1 Ph/N/PE*, CEE7/7 connector
Control voltage: 24 V DC
Transport: stacker, movable by rollers
Machine empty weight: ≈ 185kg

*Different connection voltage like US on request also available

Possible work piece dimensions (mm; w x d x h)



Minimum size: 11 x 11 x 15
 Maximum size: 340 x 440 x 170

